

WP38 RESIN SAFE

SECURE ALUMINIUM PLANT ON SHUTTER

**SPECIALIST
ROLL SHUTTER
SYSTEMS**
by Warm Protection Products Limited



- **Ultimate all aluminium design**
- **High security roller shutter TÜV & FIFT approved**
- **Stylish and compact shutter boxes**
- **High impact screw in endlock system**
- **Automatic locking system**
- **Aesthetically pleasing modern design**
- **Reliable trouble-free operation**

A new concept in shutter design now makes it possible to have a strong high security shutter with an aesthetically pleasing appearance.

Stylish double skinned roll formed aluminium sections with hardened chemical resin infill have been designed to accept a screw in polyamide endlock system for ultimate security. The resin infill helps reduce noise and improves heat insulation by 20%. The WP38 Resin profiles are available in standard factory finish colours which will compliment and enhance any application.

Operated from inside by a rod crank winding handle or powered by tubular electric motor, both systems lock automatically when fully lowered. The small roll shutter box constructed from roll formed aluminium sheet, has special shaping to ensure stability throughout its length. With box sizes starting from 165mm x 165mm the roll shutter system automatically becomes aesthetically appealing whilst still retaining its high security benefits.

- **Automatic drive down locking system**



- **Hardened resin infill with high impact screw in endlock system**



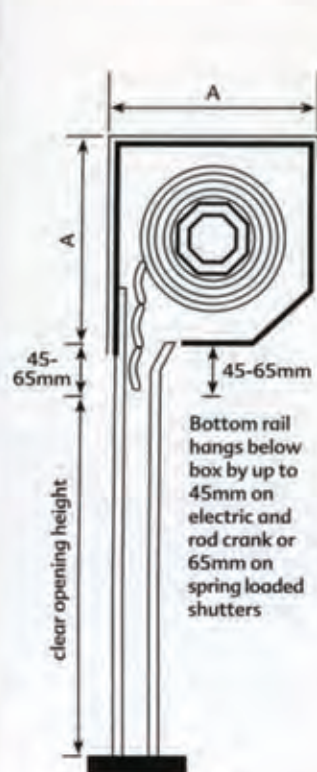
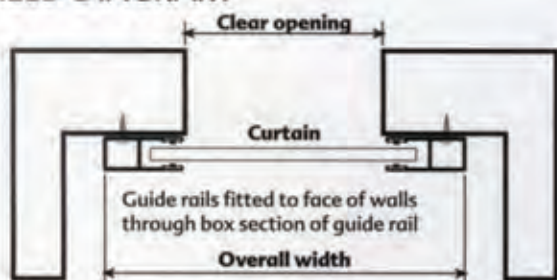
- **Thick extruded aluminium guide sections**



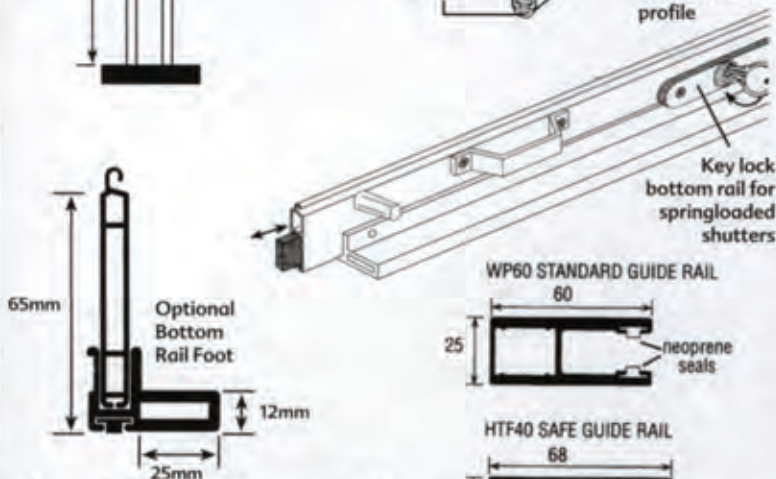
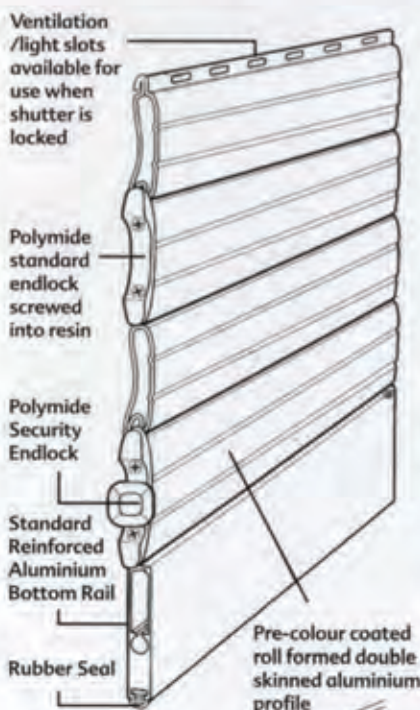
- **Security bottom rail foot**



DETAILED DIAGRAM



Bottom rail hangs below box by up to 45mm on electric and rod crank or 65mm on spring loaded shutters



Overall Height	Box Size A
up to 1367mm	165 x 165
up to 1700mm	180 x 180
up to 2500mm	205 x 205
up to 2900mm	230 x 230

Due to Warm Protection Products policy of continuous product development and improvement we reserve the right to make changes without prior notification.

Curtain 38mm x 9.5mm weight 7.5 kg/m² recommended usable size 3000mm x 3000mm. Constructed from double skinned roll formed pre-stove enamelled aluminium sheet with high abrasive resistance. Each profile has a hard chemical resin infill for security, insulation and acoustic benefits. Curtains are available with or without air/light slots which close automatically when the shutter is fully lowered to give total blackout. Each alternate profile is secured by a polyamide endlock, which is self-tapped into special sections within the hardened resin infill using double threaded screws. As an optional extra, an anti-vandal security endlock system can be installed in conjunction with the HTF40 Safe high security guide rail.

A double skinned extruded bottom rail complete with solid base and rubber seal is fitted to the base of the shutter as standard. Curtain colours available are white, brown and cream only. Bottom rail colours available are white or dark brown with other colours available at a surcharge. As an optional extra a bottom rail foot is available for maximum security.

Box - Constructed from roll formed pre-stove enamelled aluminium sheet, which is roll formed incorporating special folds to ensure rigidity and strength. Each box comes complete with a tough protective film for removal on completion. Standard box colours are white or dark brown. Other colours are available to suit any standard RAL/BS colour within our range at a surcharge.

Brackets (Box Ends) GK5E System - Constructed from die cast aluminium, high pressure moulded and stove enamelled in standard stock colours, white or dark brown. Other colours are available to suit any standard RAL/BS colour within our range at a surcharge.

Standard Guide Rail WP60 60 x 25 x 3 - Constructed from extruded aluminium alloy 6063-T6. Produced to BS1474 incorporating neoprene seals to ensure no metal to metal contact and to ensure smooth and quiet operation.

Please note: This guide rail cannot be fitted with the anti-vandal endlock system. Guide rail colours available are white or dark brown, with other RAL/BS colours available at a surcharge.

Security Guide Rails HTF40 Safe 68 x 26 x 4 - Constructed from extruded aluminium alloy 6063-T6. Produced to BS1474 incorporating anti-burglary flanges (to be used in conjunction with the anti-vandal endlocks) for high security. Guide rails are also fitted with neoprene seals to ensure no metal to metal contact and to ensure smooth and quiet operation. This guide can only be used for face fixed situations, and is available at a surcharge.

Optional Guide Rail HTF40V 68 x 26 x 4 - This is the same as the HTF40 Safe Guide Rail but does not have the anti burglary flanges. It is used for between wall fixing for additional security and it can only be used with the standard endlock system.

Operation - By internal manual rod crank winding handle with autolock facility which locks the shutter automatically when fully lowered. Operational lifting weight 33kg. Or by spring loaded roller assembly with transverse bottom rail lock up to 45kg. Or powered by Somfy tubular motors with automatic limit switches and thermal overload fitted as standard. Switching can be by individual internal rocker switches, key switches, remote control or by group command modules. Please contact our Technical Department for details.

